



**TYPE: Sepitam-DWDM OADM**

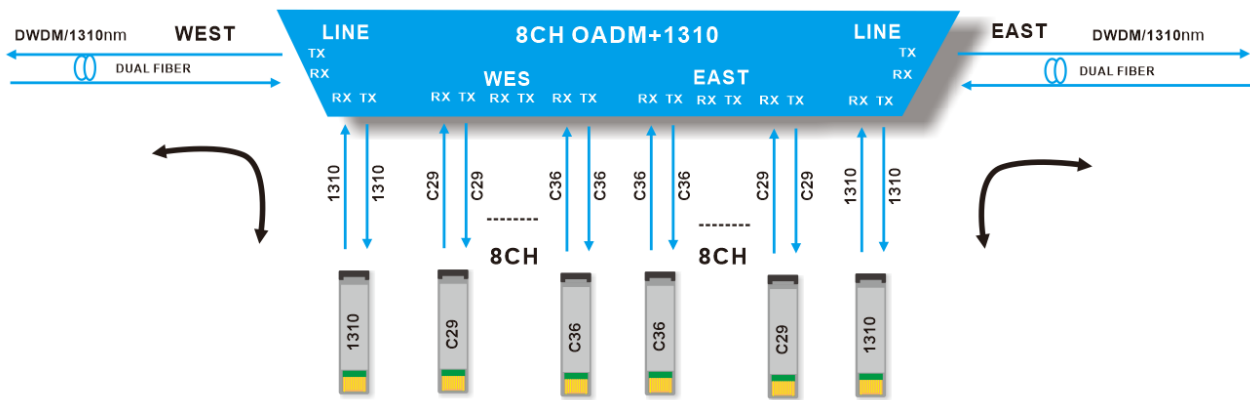
**Dual Fiber 8CH C29-C36 with 1310nm Port DWDM OADM, WEST AND EAST, LC/UPC**



**Description:**

The Dual Fiber 8CH C29-C36 with 1310nm Port DWDM OADM is designed by Sepitam, drop and add wavelengths are from C29 to C36(1554.13nm~1548.51nm) and 1310nm,(By the way, we can support customize other waves); in accordance with the ITU-T G.694.1 100GHz grid, it maximizes the capacity of the C-band range.

The 8ch DWDM OADM port is totally passive DWDM device, and support drop 8 channels business and add 8channels business in two fibers. The loss of The waves to west or east is <2.7dB, line loss of west to east (or east to west) is <5.4dB.



Support drop and add 8channel DWDM and 1channel 1310nm business transmission in dual fiber. works in Broadcast and TV, IDC, finance, government, cloud, massive data and other industries.



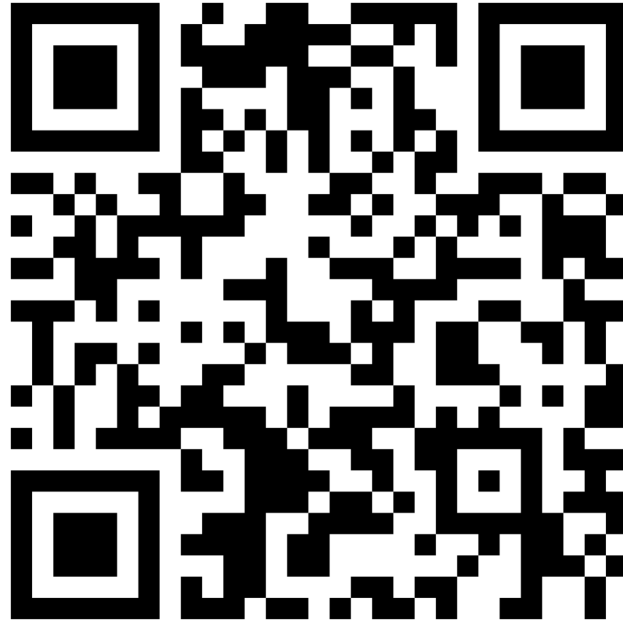
## Product Specification:

Wavelength	OADM C29-C36 with 1310nm	Channel Spacing	100GHz (0.8nm)
Channel Passband	±0.11nm	Technology	TFF (Thin Film Filter)
Insertion Loss	≤ 2.7dB( waves to west or east)	Link Loss	≤ 5.4dB ( west to east)
Return Loss	≥ 45dB	Directivity	≥ 45dB
Polarization Mode Dispersion	≤ 0.1ps	Polarization Dependent Loss	≤ 0.3dB
Channel Isolation	Adjacent ≥30dB Non-adjacent ≥ 45dB	Temperature	Operating -40 to 85°C Storage -40 to 85°C
Net Weight	3.5KG	Dimensions (HxWxD)	44*440*230mm



# Technical Specification of Sepitam-DWDM OADM

شرکت سپیتام



[www.Sepitam.com](http://www.Sepitam.com)