



Sepitam-SFP1G-SM-SX-40KM

**RoHS Compliant 1.25G 1310/1550nm
(1550/1310nm) 40KM Transceiver**



Product Description:

The **Sepitam-SFP1G-SM-SX-40KM** transceivers are high performance, cost effective modules supporting dual data-rate of 1.25Gbps/1.0625Gbps and 40KM transmission distance with SMF.

The transceiver consists of three sections: a DFB laser transmitter, a PIN photodiode integrated with a trans-impedance preamplifier (TIA) and MCU control unit. All modules satisfy class I laser safety requirements.

The transceivers are compatible with SFP Multi-Source Agreement (MSA) and SFF-8472. For further information, please refer to SFP MSA.

Feature:

- ◆ Dual data-rate of 1.25Gbps/1.063Gbps operation
- ◆ 1490nm DFB laser and PIN photo detector for 40KM transmission
- ◆ 1310nm FP laser and PIN photo detector for 40KM transmission
- ◆ BIDI LC/UPC type pluggable optical interface
- ◆ Compliant with SFP MSA and SFF-8472 with simplex LC receptacle
- ◆ RoHS compliant and lead-free
- ◆ Single +3.3V power supply
- ◆ Support Digital Diagnostic Monitoring interface
- ◆ Compliant with SFF-8472
- ◆ Case operating temperature Commercial: 0°C to +70°C

Extended: -10°C to +80°C

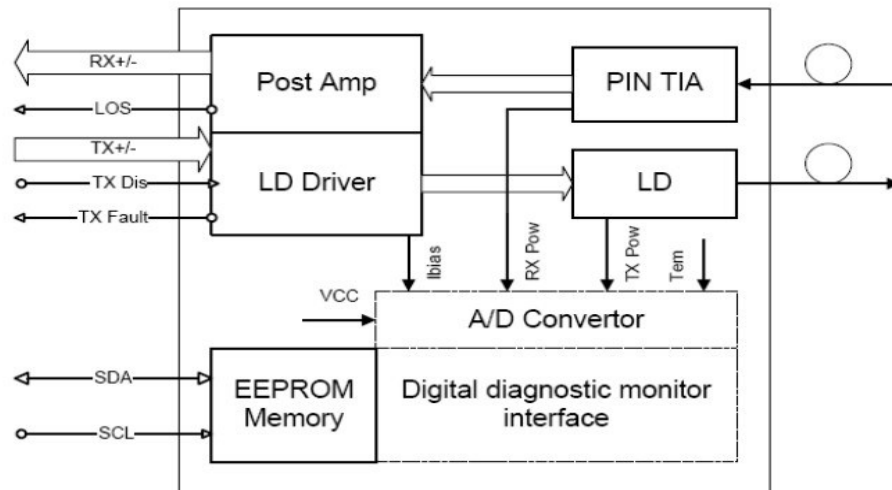
Industrial: -40°C to +85°C



Applications:

- ◆ Gigabit Ethernet
- ◆ Fiber Channel
- ◆ Switch to Switch interface
- ◆ Switched backplane applications
- ◆ Router/Server interface
- ◆ Other Optical Links

Functional Diagram:



Ordering information

Product part Number	Data Rate (Mbps)	Media	Wavelength (nm)	Transmission Distance(km)	Temperature Range (Tcase) (°C)	
Sepitam-SFP1G-SM-SX-40KM	1250	Single mode fiber	1310/1490 (1490/1310)	20	0~70	commercial
Sepitam-SFP1G-SM-SX-40KM	1250	Single mode fiber	1310/1490 (1490/1310)	20	-10~80	extended
Sepitam-SFP1G-SM-SX-40KM	1250	Single mode fiber	1310/1490 (1490/1310)	20	-45~85	industrial



Absolute Maximum Ratings:

Parameter	Symbol	Min.	Max.	Unit	Note
Supply Voltage	Vcc	-0.5	4.0	V	–
Storage Temperature	–	-40	85	°C	–
Relative Humidity	–	5	85	%	–

Note: Stress in excess of the maximum absolute ratings can cause permanent damage to the module

General Operating Characteristics:

Parameter	Symbol	Min.	Typ	Max.	Unit	Note
Data Rate	–	–	1250	–	Mb/s	–
Supply Voltage	Vcc	3.13	3.3	3.47	V	–
Supply Current	Icc ₅	–	–	220	mA	–
Operating Case Temp.	Tc	0	–	70	°C	–
		-10	–	80	°C	–
		-40	–	85	°C	–

Electrical Input/Output Characteristics:

Transmitter

Parameter	Symbol	Min.	Typ	Max.	Unit	Note	
Diff. input voltage swing	–	120	–	820	mVpp	1	
Tx Disable input	H	V _{IH}	2.0	–	V _{cc} +0.3	V	–
	L	V _{IL}	0	–	0.8		
Tx Fault output	H	V _{OH}	2.0	–	V _{cc} +0.3	V	2
	L	V _{OL}	0	–	0.8		
Input Diff. Impedance	Z _{in}	–	100	–	Ω	–	



Receiver

Parameter	Symbol	Min.	Type	Max.	Unit	Note	
Diff. output voltage swing	–	340	650	800	mVpp	3	
Rx LOS Output	H	VOH	2.0	–	V _{cc} +0.3	V	2
	L	VOL	0	–	0.8	–	

- Note 1) TD+/- are internally AC coupled with 100Ω differential termination inside the module.
- Note 2) Tx Fault and Rx LOS are open collector outputs, which should be pulled up with 4.7k to 10kΩ resistors on the host board. Pull up voltage between 2.0V and V_{cc}+0.3V.
- Note 3) RD+/- outputs are internally AC coupled, and should be terminated with 100Ω (differential) at the user SERDES

.Optical Characteristics:

Transmitter

Parameter	Symbol	Min.	Type	Max.	Unit	Note
Operating Wavelength	λ _C	1270	1310	1360	nm	–
		1470	1490	1510		
Ave. output power (Enabled)	P _o	-8	–	-4	dBm	1
Extinction Ratio	ER	9	–	–	dB	1
RMS spectral width	Δλ	–	–	4	nm	–
Rise/Fall time (20%~80%)	Tr/Tf	–	–	0.26	ps	2
Output Eye Mask	Compliant with IEEE802.3 z (class 1 laser safety)					

- Note (1): Measure at 2²³-1 NRZ PRBS pattern
- Note (2): Transmitter eye mask definition

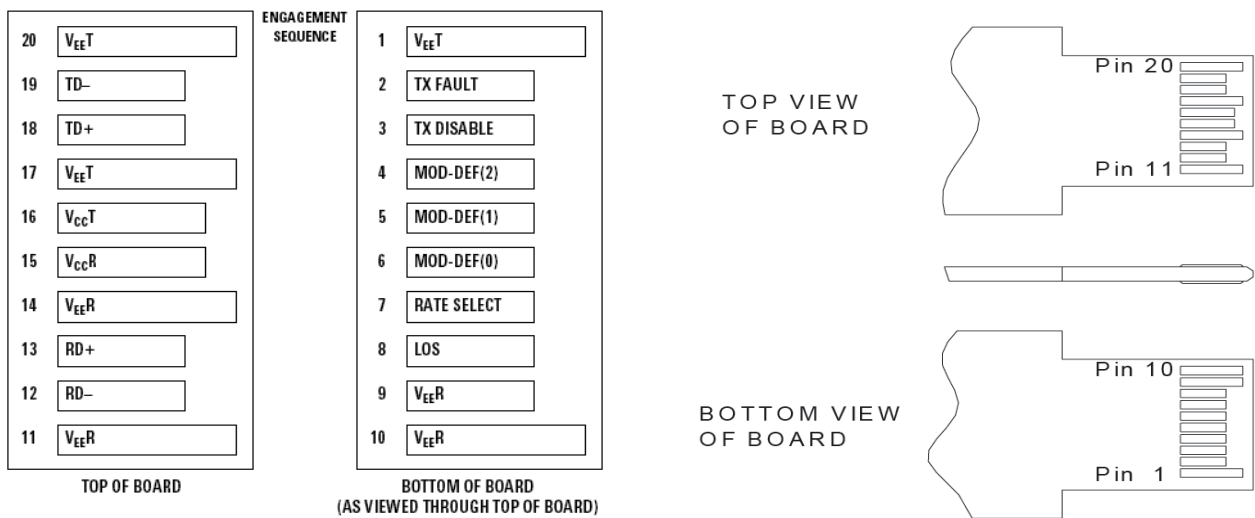
Receiver



Parameter	Symbol	Min.	Type	Max.	Unit	Note
Operating Wavelength	-	1470	1490	1510	nm	-
		1270	1310	1360		
Sensitivity	Psen	-	-	-22	dBm	1
Min. overload	Pimax	-3	-	-	dBm	-
LOS Assert	Pa	-35	-	-	dBm	-
LOS De-assert	Pd			-23	dBm	2
LOS Hysteresis	Pd-Pa	0.5	-	6	dB	-

- Note (1): Measured with Light source 1490nm(1310nm), ER=9dB; BER =10^{-12} @PRBS=2²³-1 NRZ.
- Note (2): When LOS de-asserted, the RX data+/- output is signal output.

Pin Definitions and Functions:



PIN#	Name	Function	Notes
1	VeeT	Tx ground	-
2	Tx Fault	Tx fault indication, Open Collector Output, active "H"	1
3	Tx Disable	LVTTL Input, internal pull-up, Tx disabled on "H"	2
4	MOD-DEF2	2 wire serial interface data input/output (SDA)	3
5	MOD-DEF1	2 wire serial interface clock input (SCL)	3
6	MOD-DEF0	Model present indication	3
7	Rate select	No connection	-
8	LOS	Rx loss of signal, Open Collector Output, active "H"	4
9	VeeR	Rx ground	-
10	VeeR	Rx ground	-



11	VeeR	Rx ground	–
12	RD-	Inverse received data out	5
13	RD+	Received data out	5
14	VeeR	Rx ground	–
15	VccR	Rx power supply	–
16	VccT	Tx power supply	–
17	VeeT	Tx ground	–
18	TD+	Transmit data in	6
19	TD-	Inverse transmit data in	6
20	VeeT	Tx ground	–

Note 1) When high, this output indicates a laser fault of some kind. Low indicates normal operation. And should be pulled up with a 4.7 – 10K Ω resistor on the host board.

Note 2) TX disable is an input that is used to shut down the transmitter optical output. It is pulled up within the module with a 4.7 – 10K Ω resistor. Its states are:

Low (0 – 0.8V): Transmitter on (>0.8, < 2.0V): Undefined

High (2.0V~Vcc+0.3V): Transmitter Disabled Open: Transmitter Disabled

Note 3) Mod-Def 0,1,2. These are the module definition pins. They should be pulled up with a 4.7K – 10K Ω resistor on the host board. The pull-up voltage shall be VccT or VccR.

Mod-Def 0 has been grounded by the module to indicate that the module is present

Mod-Def 1 is the clock line of two wire serial interface for serial ID

Mod-Def 2 is the data line of two wire serial interface for serial ID

Note 4) When high, this output indicates loss of signal (LOS). Low indicates normal operation.

Note 5) RD+/-: These are the differential receiver outputs. They are AC coupled 100 Ω differential lines which should be terminated with 100 Ω (differential) at the user SERDES. The AC coupling is done inside the module and is thus not required on the host board.

Note 6) TD+/-: These are the differential transmitter inputs. They are AC-coupled, differential lines with 100 Ω differential termination inside the module. The AC coupling is done inside the module and is thus not required on the host board.

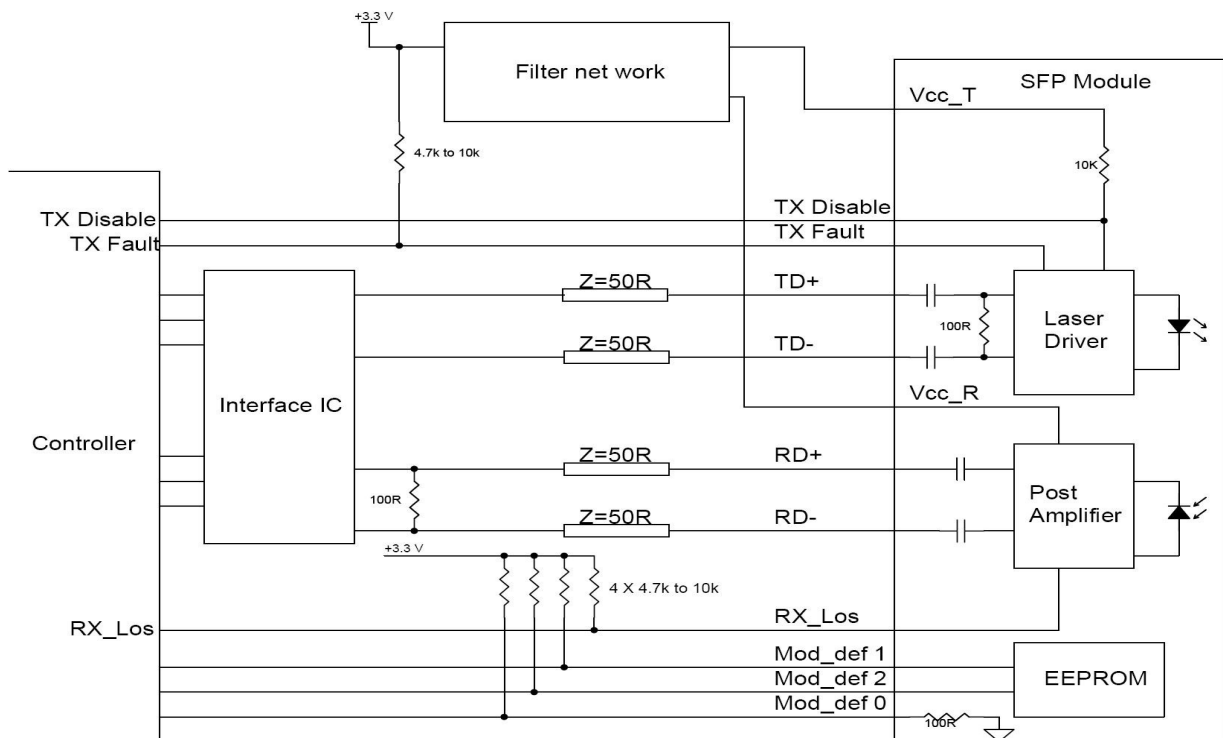


Diagnostics:

Diagnostics Specification:

Parameter	Range	Unit	Accuracy	Calibration
Temperature	0 to +70 -40 to +85	°C	±3°C	Internal/ External
Voltage	3.0 to 3.6	V	±3%	Internal/ External
Bias Current	2 to 80	mA	±10%	Internal/ External
TX Power	-11 to -1	dBm	±3dB	Internal/ External
RX Power	-25 to 0	dBm	±3dB	Internal/ External

Typical Interface Circuit:





Ordering Information & Related Products:

Sepitam-SFP1G-SM-SX-40KM-T	SFP BIDI,LC,Tx1310/Rx1550nm 1.25Gbps, 40KM, with DDM
Sepitam-SFP1G-SM-SX-40KM-R	SFP BIDI,LC,Tx1550/Rx1310nm 1.25Gbps, 40KM, with DDM



Technical Specification of

TYPE: Sepitam-SFP1G-SM-SX-40KM

شرکت سپیتام



www.Sepitam.com